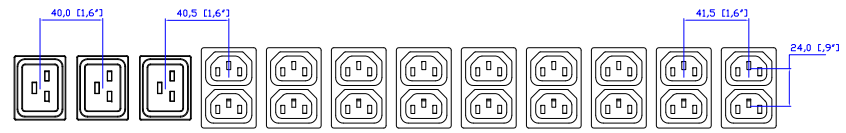
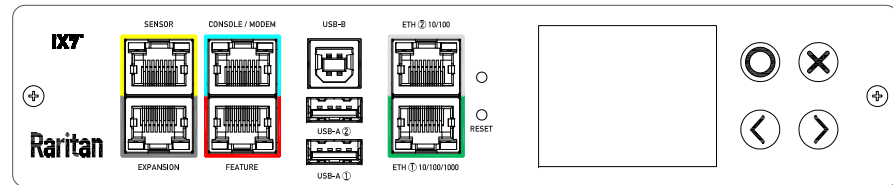


IEC60309 32A

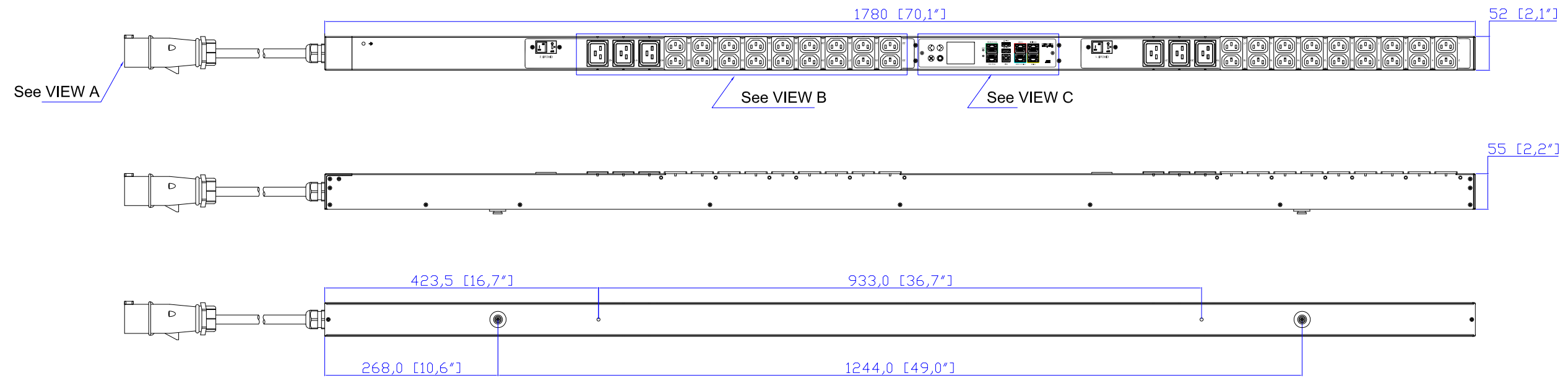
VIEW A



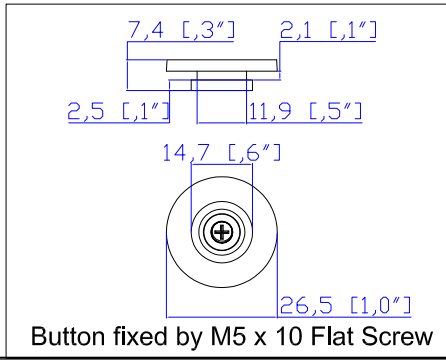
VIEW B



VIEW C



- NOTES:
1. INSTALLATION SHALL COMPLY WITH ALL APPLICABLE NATIONAL, STATE AND LOCAL CODES.
  2. PLEASE REFER TO PRODUCT DOCUMENTATION FOR FURTHER INFORMATION.
  3. UNLESS OTHERWISE SPECIFIED, ALL DIMENSIONS ARE IN MILLIMETERS [INCHES].
  4. MOUNTING BUTTON IS AN ALTERNATIVE MOUNTING METHOD TO THE TOOLLESS MOUNT FOR 3RD PARTY ENCLOSURE. BUTTON IS PROVIDED WITH THE UNIT. DETAILED INSTALLATION INSTRUCTIONS CAN BE FOUND IN THE PROVIDED MANUAL.
  5. BRACKET KITS TO MOUNT TO SPECIFIC 3RD PARTY ENCLOSURES ARE AVAILABLE AS OPTIONS.
  6. LENGTH OF THE CORD IS 3000MM +/- 70MM
  7. DIMENSION TOLERANCE: LENGTH +/- 3MM, WIDTH +/- 1MM, DEPTH +/- 0.5MM
  8. REFER TO THE TABLE FOR DETAIL CORD LENGTH DEFINITION



<p>A brand of  <b>legrand</b></p>	<p>PROJECTION THIRD ANGLE</p>	<p>DO NOT SCALE DRAWING</p> <p><b>SHEET 1 OF 1</b></p>	<p>TITLE: iPDU Zero U</p> <p>Single Phase, 32A/200-240V</p> <p>Plug Type: IEC60309 32A</p> <p>Outlet Type: C13 (36), C19 (6)</p>
	<p>Drawing Maker: Eva Lin      June 01. 2017</p> <p>Design Engineer: Sam Liu      June 01. 2017</p> <p>Approver: Tom_H      June 01. 2017</p>	<p>THIS DRAWING AND SPECIFICATIONS HEREIN ARE THE PROPERTY OF RARITAN, Inc. AND SHALL NOT BE COPIED, REPRODUCED OR USED, IN WHOLE OR IN PART, AS THE BASIS FOR THE MANUFACTURE OR SALE OF ITEMS WITHOUT WRITTEN PERMISSION FROM RARITAN, Inc. THIS DRAWING IS BASED UPON LATEST AVAILABLE INFORMATION AND IS SUBJECT TO CHANGE WITHOUT NOTICE.</p>	<p>DWG NO: MPX3-1847V M5</p> <p>MODEL NO: <b>PX3-1847V &amp; PX3-1847V-M5</b></p>