

Technical Specifications / Engineering Submittals

Raritan Model Number: PX2-2260

rev20170831

LINE DRAWING



FEATURES

| | |
|-------------------------------------|---|
| Energy Metering | Voltage (V), Current (A), Active Power (kW), Real Power (kVA), Energy (kWh), Power Factor |
| Metering Accuracy | ISO/IEC 62053-21 1% |
| Metering per Input Line | Yes |
| Metering per Branch Circuit Breaker | No |
| Metering per Output Receptacle | No |
| Remote Outlet Switching | Yes |
| Environmental Sensor Ready | Yes |
| Replaceable Controller | No |
| Compatible Sensors | Temperature, Humidity, Air Flow, Differential Pressure, Water Leak, and Contact Closure |
| Networking | (10/100 BaseT) Ethernet port. Optional WiFi (802.11a/b/g/n) |
| Remote Management | HTTP(s); SSH; Telnet; RS-232 (Serial); Power IQ; SNMP version v2/v3; SMTP; JSON-RPC |
| Cascading | Yes, Max 8 PDUs can be daisy chained using USB connection |
| Onboard Display | 3-digit LED user-selectable display : Voltage, current, or active power (per line); Auto-flip orientation |
| Embedded Processor | ARM9 400MHZ (Atmel SAM9G20), 16MB NOR Flash, 64MB SDRAM |

Technical Specifications / Engineering Submittals

Raritan Model Number: PX2-2260

rev20170831

INPUT

| | |
|-----------------------|--------------------------------|
| Input Plug | IEC 60309 2P+E 6h 16A (2P3W) |
| Cord Length | 3 meters (9.84 feet) standard |
| Cord Entry | Bottom-front feed |
| Cable Type | IP44("splashproof") |
| Number of Power Cords | 1 |
| Maximum Input Current | 16A |
| Nominal Input Voltage | 230V |
| Rated Input Voltage | 200 - 240V |
| Input Frequency | 50/60Hz |
| Power Capacity | 3.2kVA at 200V, 3.8kVA at 240V |

OUTPUT

| | |
|----------------------------------|----------------------|
| Nominal Output Voltage | 230V |
| Rated Output Voltage | 200 - 240V |
| Receptacles (Output Connections) | (12) IEC320 C13, 10A |
| Securelock Support | Yes |
| Cord Retention | Yes |
| Overload Protection | N/A |

PHYSICAL

| | |
|-----------------------------|--|
| Color | Black powder coat (custom colors available) |
| Unit Dimensions (WxDxH) | 2.1" x 2.6" x 41.1" ; 52mm x 65mm x 1044mm |
| Unit Weight | 2 kg |
| Shipping Weight | 4.5 kg |
| Shipping Dimensions (WxDxH) | 7.28" x 6.3" x 45.43" ; 185mm x 160mm x 1154mm |
| Mounting | G2-RACK-FOR-ZU |

Technical Specifications / Engineering Submittals

Raritan Model Number: PX2-2260

rev20170831

ENVIRONMENTAL

| | |
|-----------------------------|-----------|
| Operating Temperature | 50°C |
| Operating Relative Humidity | 85% |
| Operating Elevation | 0-10000ft |

CONFORMANCE

| | |
|----------------------|---|
| Regulatory Approvals | CE, Canada ICES-003, Part 15 Class A of the FCC rules, RoHS compliant |
| Warranty | Standard 2 years manufacturer warranty |

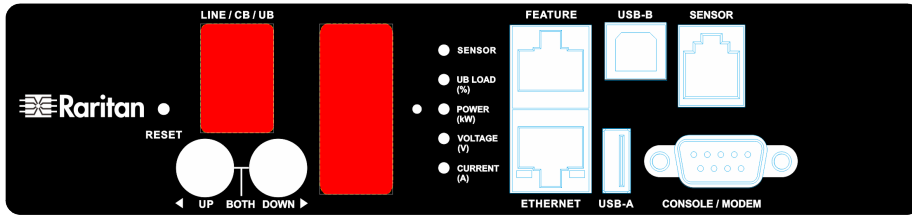
Technical Specifications / Engineering Submittals

Raritan Model Number: PX2-2260

rev20170831

CONTROL PANEL

Dimension: 188mm x 43mm

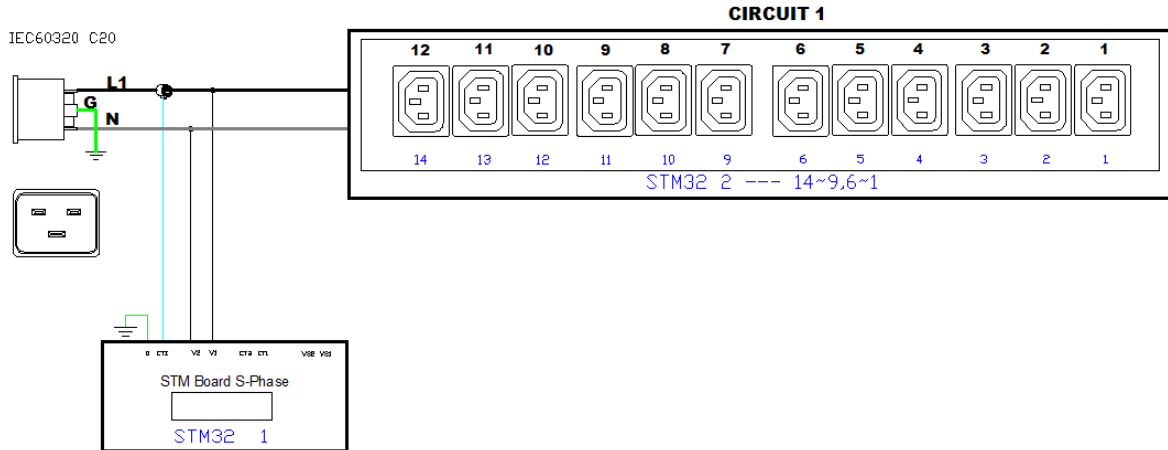


Technical Specifications / Engineering Submittals

Raritan Model Number: PX2-2260

rev20170831

ELECTRICAL (ONE LINE) DIAGRAM

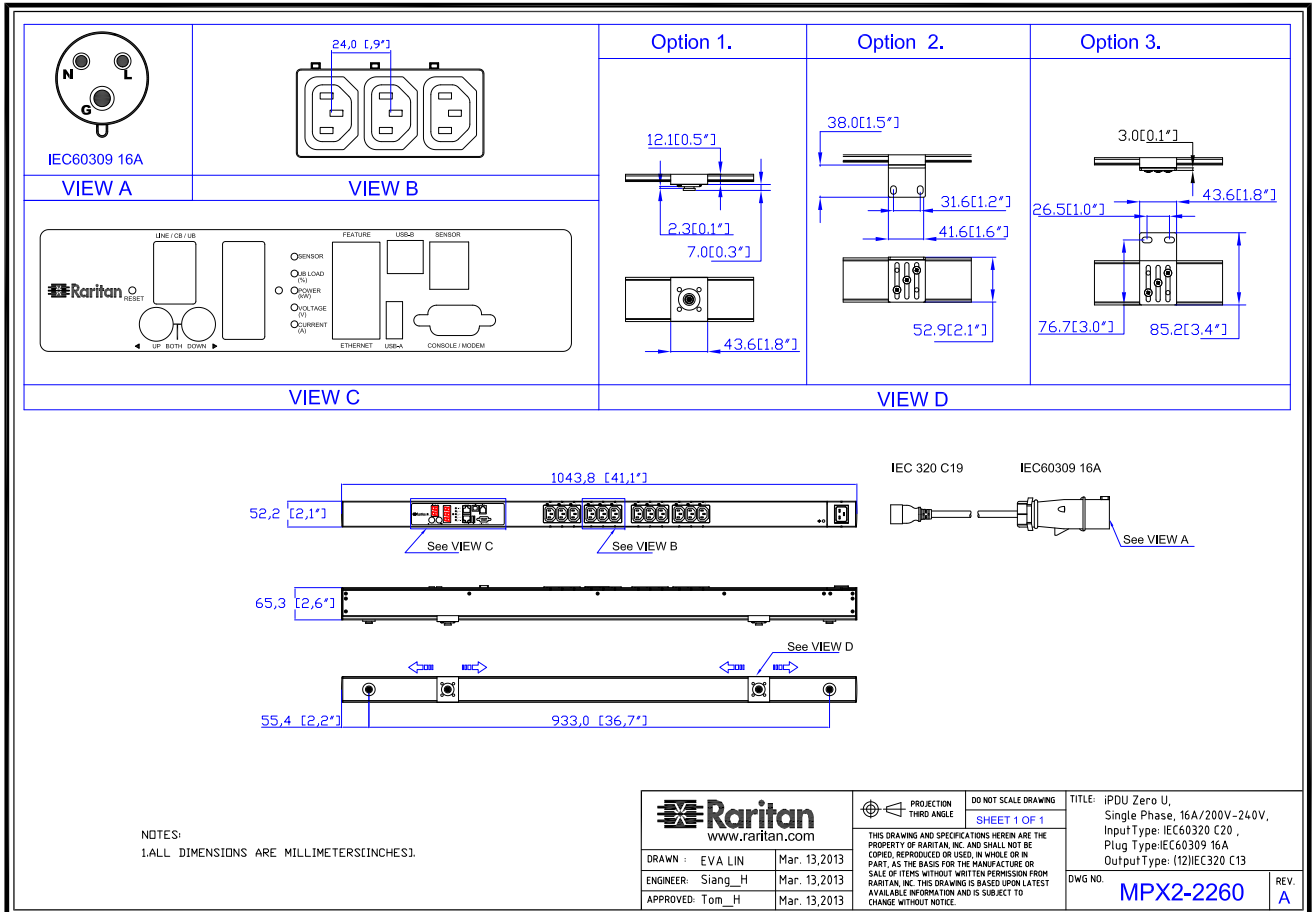


Technical Specifications / Engineering Submittals

Raritan Model Number: PX2-2260

rev20170831

MECHANICAL DIAGRAM

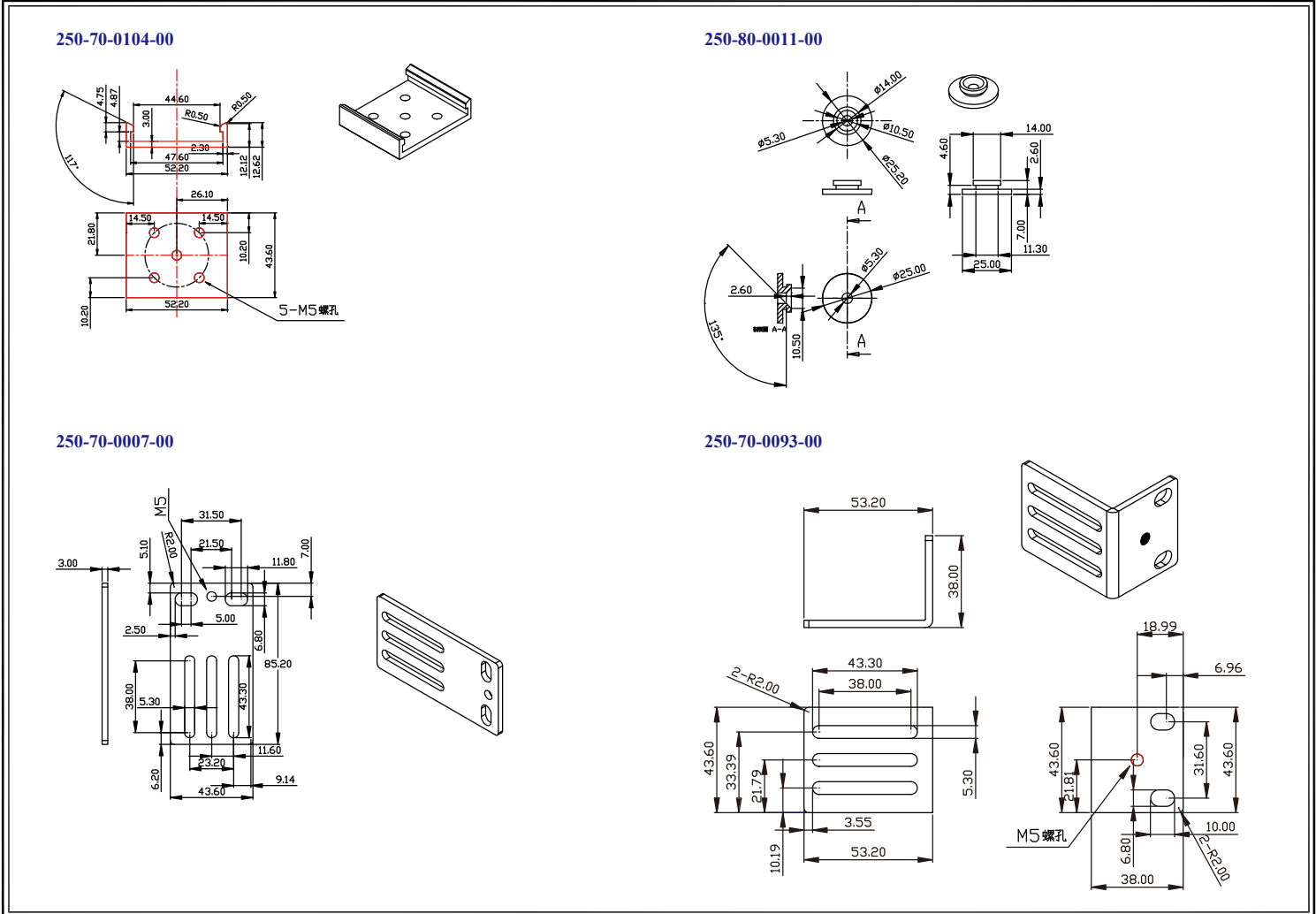


Technical Specifications / Engineering Submittals

Raritan Model Number: PX2-2260

rev20170831

Mounting Diagram (G2-RACK-FOR-ZU)



Technical Specifications / Engineering Submittals

Raritan Model Number: PX2-2260

rev20170831

TRIP CURVE

This file generated on: Thu, August 31, 2017 - 04:40:49