

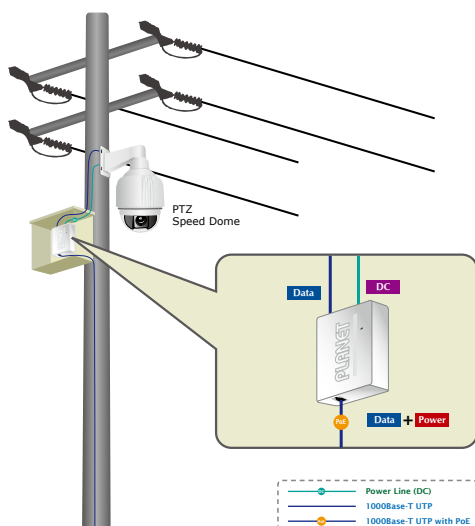
IEEE 802.3at Gigabit Power over Ethernet Plus Splitter



PLANET IEEE POE-161S 802.3at Gigabit Power over Ethernet Plus Splitter complies with IEEE 802.3at Power over Ethernet Plus standard that supports a maximum of 25.5 watts of input power. The POE-161S provides the following key features:

- IEEE 802.3at Power over Ethernet Plus standard compliant
- 5V/12V DC power output through DIP switch
- Passive 10/100/1000BASE-T speed duplex mode
- Quick and easy high power PoE Plus network deployment

The POE-161S can split the 52~56V DC power over the Ethernet cable into selectable 5V or 12V DC power output. It is designed specifically to fulfill the demand of higher power required network equipment, such as PTZ (Pan, Tilt & Zoom) network cameras, PTZ speed dome cameras, color touch-screen/Video and Voice over IP (VoIP) telephones, multi-channel (11a/ac/b/g/n) wireless LAN access points and other network devices that need higher power to work normally but can't be satisfied with IEEE 802.3af PoE standard. The POE-161S IEEE 802.3at Gigabit Power over Ethernet Plus Splitter is an ideal solution that enables network device with high power consumption to be powered directly via the RJ45 interface without the need of power outlets and electrical cabling.



Interface

- 2 RJ45 interfaces
 - 1-port PoE Power + Data input
 - 1-port Data output
- 1 DC out plug connector

PoE

- Complies with IEEE 802.3at Power over Ethernet Plus PD
- Splits the 52~56V DC power over RJ45 Ethernet cable into 5V/12V DC output
- Up to 1 non-IEEE 802.3at device powered
- Auto detects IEEE 802.3at PoE compliant equipment, protects devices from being damaged by incorrect installation
- Adjustable two different output voltage options (5V, 4.5A; 12V, 2A) to fit various devices
- Distance up to 100 meters
- IEEE 802.3af PoE injector devices compatible

Hardware

- Plastic case
- 5V/12V DIP switch
- LED power input indicators

Standard Compliance

- IEEE 802.3 10BASE-T
- IEEE 802.3u 100BASE-TX
- IEEE 802.3ab 1000BASE-T
- IEEE 802.3at Power over Ethernet Plus standard
- FCC Part 15 Class A, CE

Quick and Easy 802.3at PoE Plus Network Deployment

The POE-161S can work with the IEEE 802.3at Power over Ethernet Plus injector devices like the POE-161/POE-163/POE-164, IEEE 802.3at Power over Ethernet Plus Switch and Media Converter to transfer data and power simultaneously to the end device. The POE-161/POE-163/POE-164, IEEE 802.3at Power over Ethernet Plus Switch and Media Converter can combine the Ethernet digital data with power over the twisted pair cables as an IEEE 802.3at Power over Ethernet Plus injector. Then, the POE-161S separates the digital data and the power into 5V/12V DC power outputs. The maximum distance between the IEEE 802.3at Power over Ethernet Plus injector devices and the splitter (POE-161S) is 100 meters, and the POE-161S also supports passive 10/100/1000Mbps Ethernet connection ability.



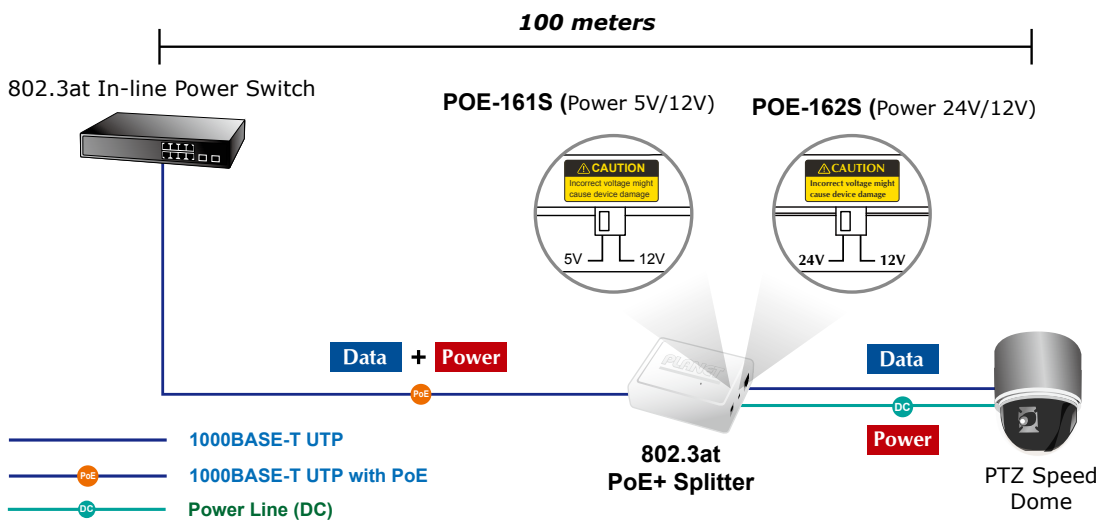
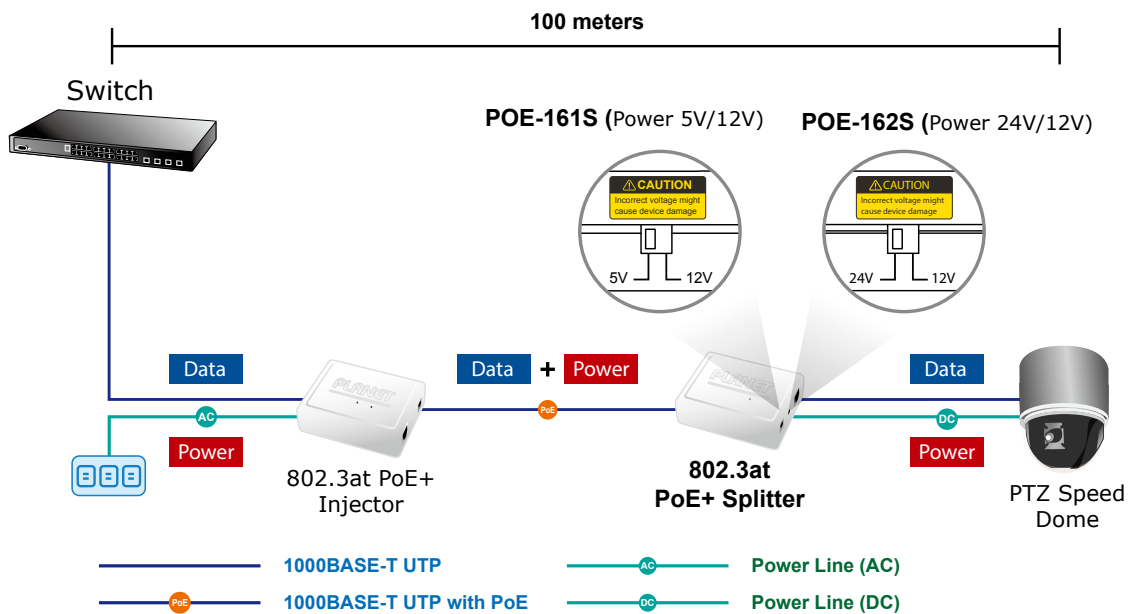
With IEEE 802.3at Power over Ethernet Plus injector devices installed, the system administrator only has to use one single RJ45 Ethernet cable to carry both power and data to each powered device. Besides, by connecting the IEEE 802.3at Power over Ethernet Plus injector devices to the POE-161S, you could also have benefits including cost saving, easier networking planning and higher reliability. When IEEE 802.3at compliant devices are installed, the IEEE 802.3at Power over Ethernet Plus injector devices working together with the POE-161S can make the connection while migrating or splitting the power and the Ethernet digital packets.

Applications

IEEE 802.3at PoE Plus Injector Devices and Splitter Installation

Due to the capability of IEEE 802.3at PoE Plus standard, the POE-161S only can be powered by the IEEE 802.3at Power over Ethernet Plus injector devices like the POE-161/POE-163/POE-164, IEEE 802.3at Power over Ethernet Plus Switch/Media Converter and transform non-PoE equipment to IEEE 802.3at PoE application.

For a place which is hard to find the power inlet, the IEEE 802.3at Power over Ethernet Plus injector devices and the POE-161S operate as a pair to provide the easiest way to power your Ethernet devices that need high power input, such as PTZ (Pan, Tilt & Zoom) network cameras, PTZ speed dome cameras, color touch-screen Voice over IP (VoIP) telephones, and multi-channel wireless LAN access points which are installed on the top of the building or used in enterprise office or home.



Specifications

Product	POE-161S	
Hardware Specifications		
Hardware Version	2	
Interface	"Data" Output Port	1 x RJ45 STP
	"PoE (Data + Power)" Input Port	1 x RJ45 STP
	DC Out Plug Connector	1
LED Indicator	System: PoE in Use x 1 (Green)	
Network Cable	UTP Cat. 5/5e/6, up to 100m (328ft)	
Data Rate	10/100/1000Mbps	
Dimensions (W x D x H)	95 x 70 x 25 mm	
Weight	108g	
Power over Ethernet		
PoE Standard	IEEE 802.3at Gigabit Power over Ethernet / PD	
PoE Power Input	IEEE 802.3at 52~56V DC	
DIP Switch	5V DC/12V DC output voltage	
Number of devices that can be powered	1	
Standards Conformance		
IEEE 802.3 10BASE-T Ethernet	■	
IEEE 802.3u 100BASE-TX Fast Ethernet	■	
IEEE 802.3ab 1000BASE-T Gigabit Ethernet	■	
IEEE 802.3af Power over Ethernet	■	
IEEE 802.3at Power over Ethernet Plus	■	
Regulatory Compliance	FCC Part 15 Class A, CE	
Environment		
Operating Temperature	0 ~ 50 degrees C	
Storage Temperature	-10 ~ 70 degrees C	
Humidity	5 ~ 95% (non-condensing)	

Ordering Information

POE-161S	IEEE 802.3at Gigabit Power over Ethernet Plus Splitter with 5V/12VDC output (10/100/1000Mbps)
----------	---

Related Products

POE-162S	IEEE 802.3at Gigabit Power over Ethernet Plus Splitter with 12V/24VDC output (10/100/1000Mbps)
POE-161	IEEE 802.3at Gigabit Power over Ethernet Plus Injector (10/100/1000Mbps, Mid-span, 30 watts)
POE-163	IEEE 802.3at Gigabit Power over Ethernet Plus Injector (10/100/1000Mbps, Mid-span, 30 watts)
POE-164	IEEE 802.3at Power over Ethernet Plus Injector (10/100Mbps, Mid-span, 30 watts)