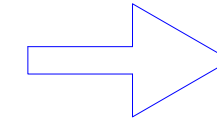
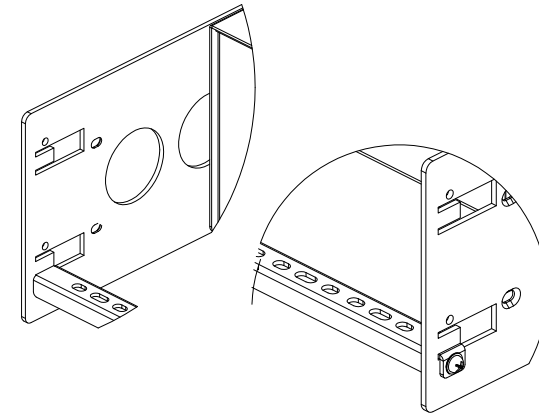
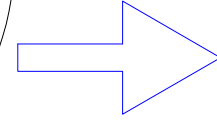
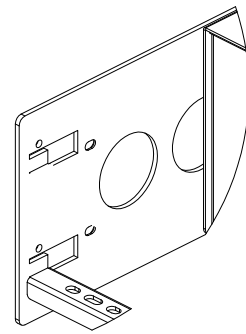
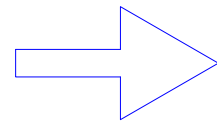
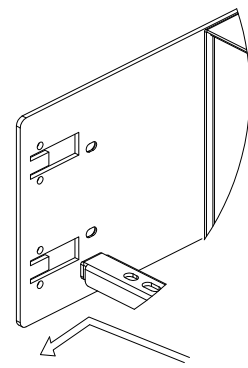


IEC60309 16A

VIEW A



88.1 [3.5"]

365.3 [14.4"]

VIEW B

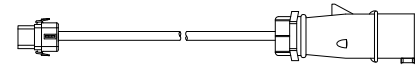
Rear



See VIEW C

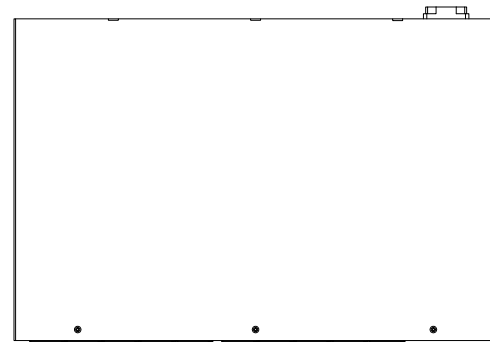
IEC60320 C19

IEC60309 16A



See VIEW A

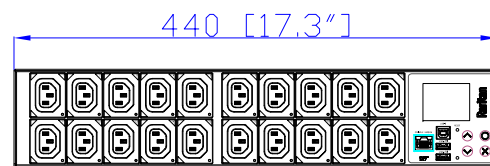
Top



293 [11.5"]

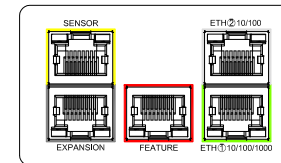
88 [3.5"]

Front

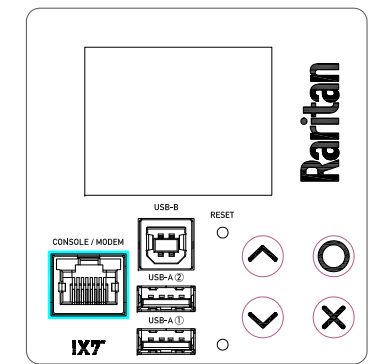


440 [17.3"]

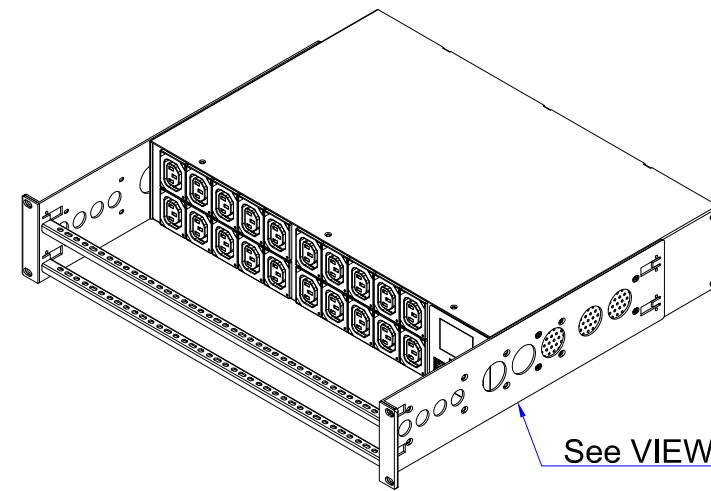
See VIEW D



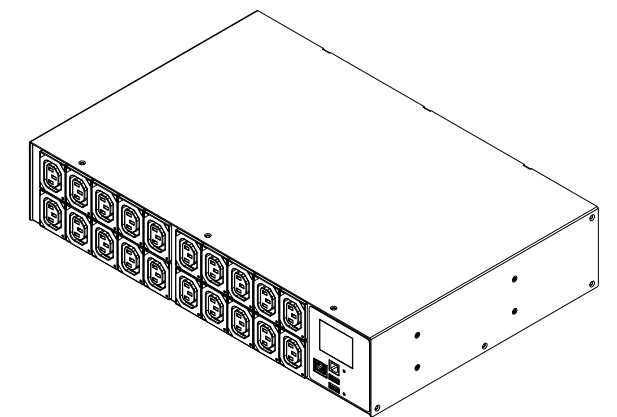
VIEW C



VIEW D



See VIEW B



- NOTES:
1. INSTALLATION SHALL COMPLY WITH ALL APPLICABLE NATIONAL, STATE AND LOCAL CODES.
 2. PLEASE REFER TO PRODUCT DOCUMENTATION FOR FURTHER INFORMATION.
 3. UNLESS OTHERWISE SPECIFIED, ALL DIMENSIONS ARE IN MILLIMETERS [INCHES].
 4. MOUNTING BUTTON IS AN ALTERNATIVE MOUNTING METHOD TO THE TOOLLESS MOUNT FOR 3RD PARTY ENCLOSURE. BUTTON IS PROVIDED WITH THE UNIT. DETAILED INSTALLATION INSTRUCTIONS CAN BE FOUND IN THE PROVIDED MANUAL.
 5. BRACKET KITS TO MOUNT TO SPECIFIC 3RD PARTY ENCLOSURES ARE AVAILABLE AS OPTIONS.
 6. LENGTH OF THE CORD IS 3000MM +/- 70MM
 7. DIMENSION TOLERANCE: LENGTH +/- 3MM, WIDTH +/- 1MM, DEPTH +/- 0.5MM
 8. REFER TO THE TABLE FOR DETAIL CORD LENGTH DEFINITION

Raritan
A brand of **legrand**



THIS DRAWING AND SPECIFICATIONS HEREIN ARE THE PROPERTY OF RARITAN, Inc. AND SHALL NOT BE COPIED, REPRODUCED OR USED, IN WHOLE OR IN PART, AS THE BASIS FOR THE MANUFACTURE OR SALE OF ITEMS WITHOUT WRITTEN PERMISSION FROM RARITAN, Inc. THIS DRAWING IS BASED UPON LATEST AVAILABLE INFORMATION AND IS SUBJECT TO CHANGE WITHOUT NOTICE.

DO NOT SCALE DRAWING
SHEET 1 OF 1

TITLE: iPDU Two U
Single phase, 16A/200-240V
Inlet Type: IEC60320 C20
Plug Type: IEC60309 16A
Outlet Type: C13 (20)

DWG NO: MPX3-5440R M5 & MPX3-4440R M5

MODEL NO: **PX3-5440R & PX3-4440R**
PX3-5440R-M5 & PX3-4440R-M5

REV. **2A**

Drawing Maker:	Eva Lin	May 10, 2017
Design Engineer:	Sam_L	May 10, 2017
Approver:	Tom_H	May 10, 2017