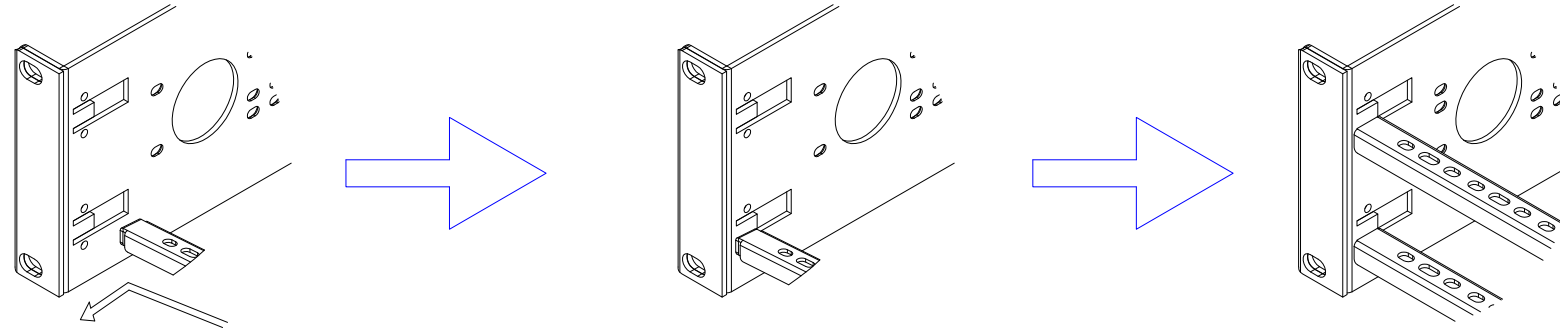
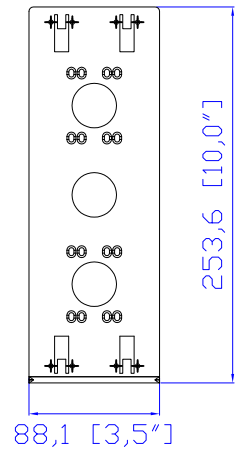


IEC60309 16A

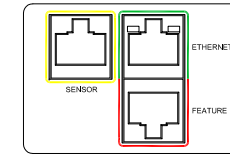
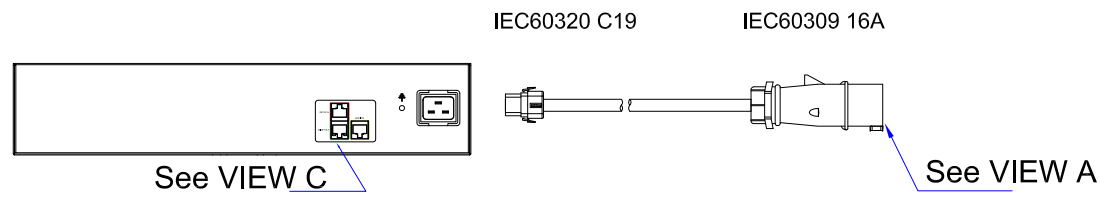
VIEW A



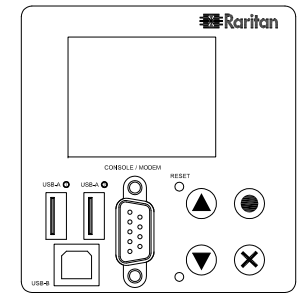
VIEW B



Rear

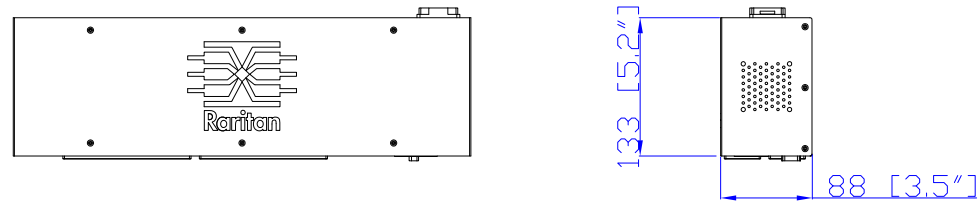


VIEW C

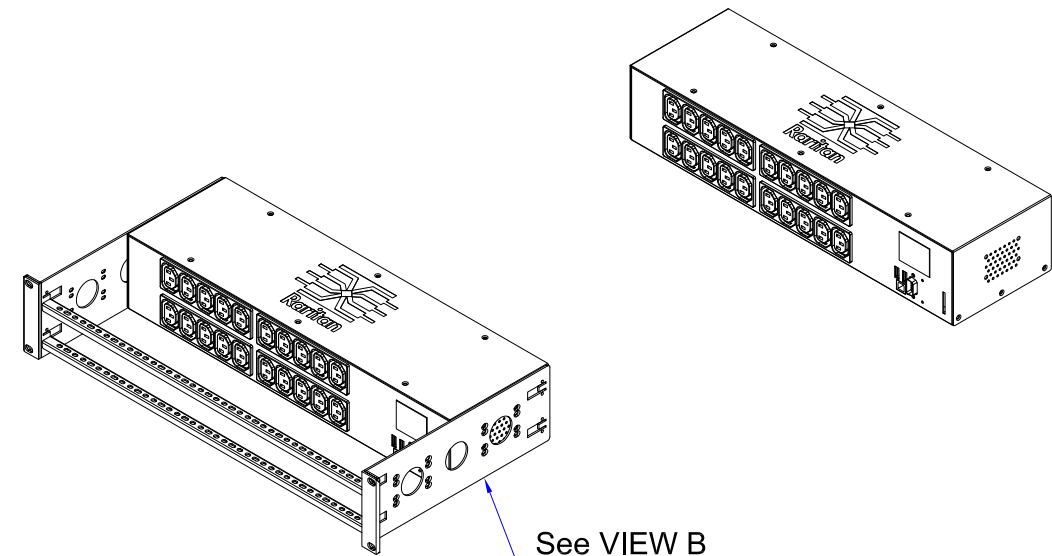
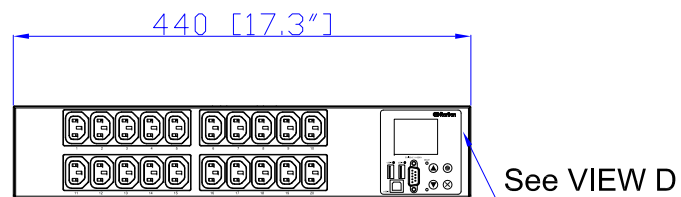


VIEW D

TOP



Front



NOTES:
ALL DIMENSIONS ARE MILLIMETERS[INCHES].

<p>Raritan www.raritan.com</p>	PROJECTION THIRD ANGLE	DO NOT SCALE DRAWING	TITLE: iPDU Two U
		SHEET 1 OF 1	Single phase, 16A/200V-240V
Drawing Maker: EVA LIN	Aug. 18, 2015	THIS DRAWING AND SPECIFICATIONS HEREIN ARE THE PROPERTY OF RARITAN, INC. AND SHALL NOT BE COPIED, REPRODUCED OR USED, IN WHOLE OR IN PART, AS THE BASIS FOR THE MANUFACTURE OR SALE OF ITEMS WITHOUT WRITTEN PERMISSION FROM RARITAN, INC. THIS DRAWING IS BASED UPON LATEST AVAILABLE INFORMATION AND IS SUBJECT TO CHANGE WITHOUT NOTICE.	Inlet Type: IEC60320 C20
Design Engineer: Kenny_C	Aug. 18, 2015		Plug Type: IEC60309 16A
Approver: Tom_H	Aug. 18, 2015		Outlet Type: (20)IEC320 C13
			DWG NO. MPX3-1440R
			REV. 0A