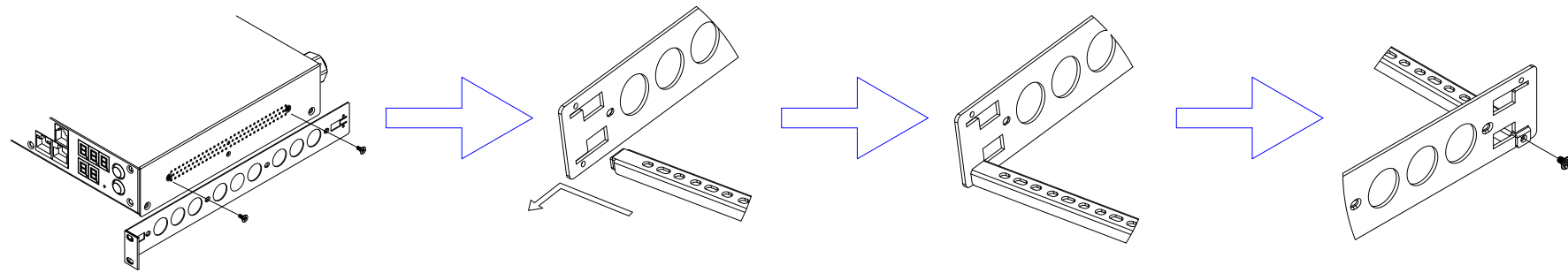
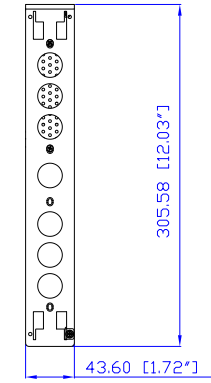


IEC60320 C20

VIEW A



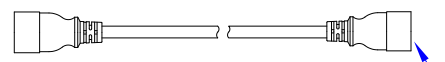
VIEW B



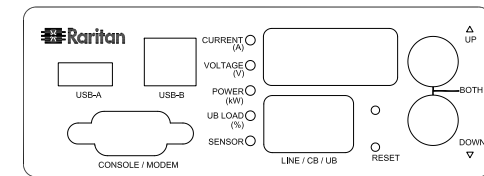
Rear



IEC60320 C19 IEC60320 C20

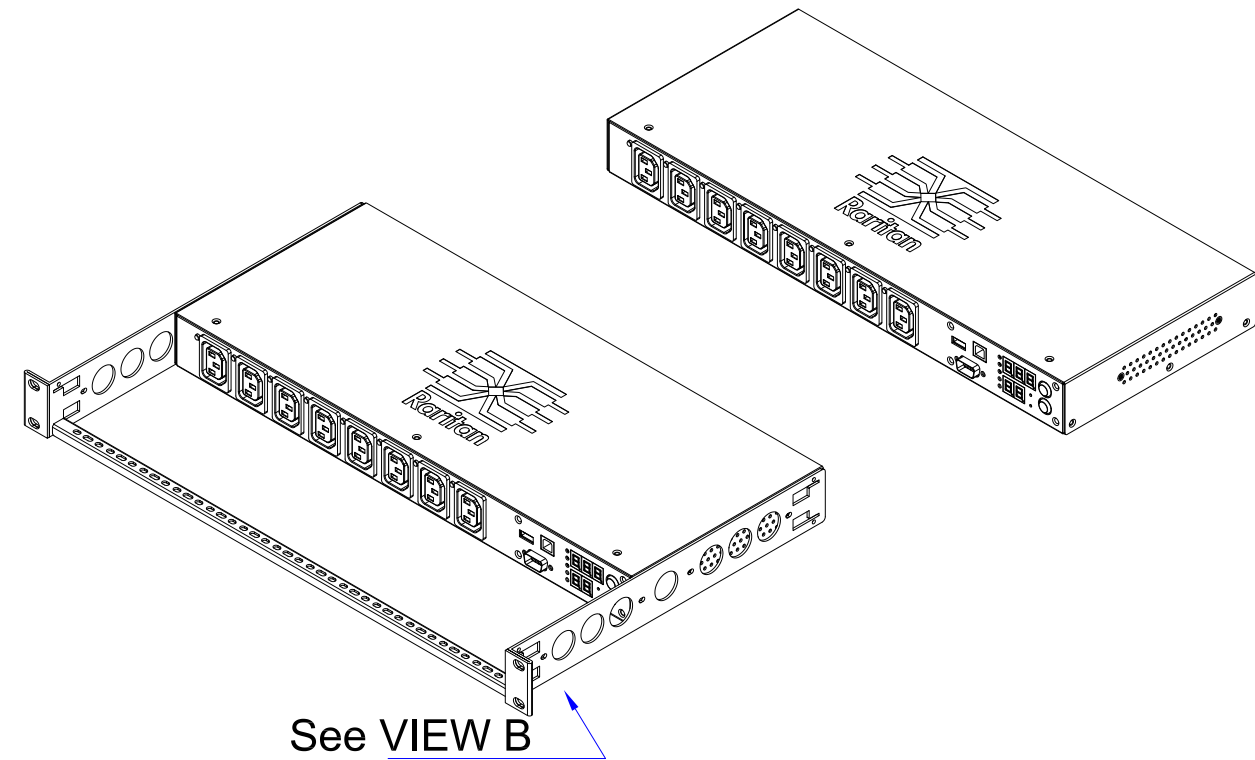
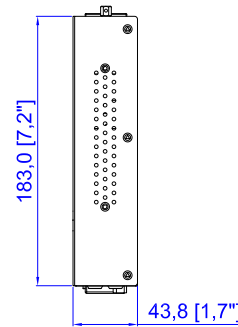
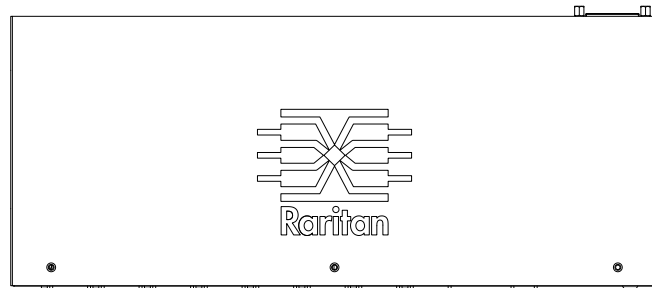


See VIEW A



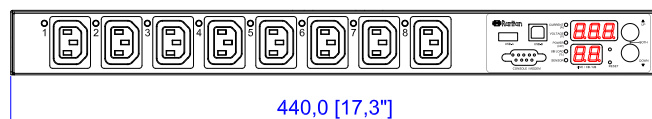
VIEW C

TOP



See VIEW B

Front



440,0 [17,3"]

See VIEW C

NOTES:
ALL DIMENSIONS ARE MILLIMETERS[INCHES].

<p>Raritan www.raritan.com</p>	PROJECTION THIRD ANGLE	DO NOT SCALE DRAWING	TITLE: iPDU One U, Single Phase, 16A/100-240V Input: IEC60320 C20 , Output (8)IEC320 C13
	SHEET 1 OF 1		
DRAWN : Eva LIN	Mar. 16, 2011	THIS DRAWING AND SPECIFICATIONS HEREIN ARE THE PROPERTY OF RARITAN, INC. AND SHALL NOT BE COPIED, REPRODUCED OR USED, IN WHOLE OR IN PART, AS THE BASIS FOR THE MANUFACTURE OR SALE OF ITEMS WITHOUT WRITTEN PERMISSION FROM RARITAN, INC. THIS DRAWING IS BASED UPON LATEST AVAILABLE INFORMATION AND IS SUBJECT TO CHANGE WITHOUT NOTICE.	DWG NO. MPX2-2190CR
ENGINEER: Sam	Mar. 16, 2011		
APPROVED: Kevin_C	Mar. 16, 2011		