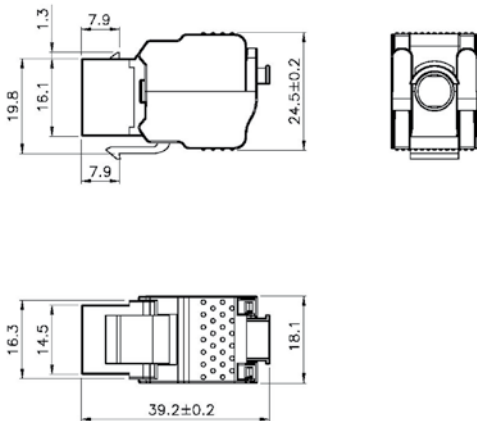




Brand-Rex Copper Connectivity - Cat6Plus Jacks
 Category 6 Keystone Jack



Product Part Numbering

Description	Product Part Number
Category 6 Shielded Jack	C6CJAKS000CR

Compatible System Products:

Description	Product Part Number
24 Port In-Line Snap-in-Jack Panel	MMCPNLX24SJ2MIL
24 Port Staggered Snap-in-Jack Panel	MMCPNLX24SJ2
24 Port Angled Snap-in-Jack Panel	MMCPNLX24SJ2MAN
24 Port Coloured Insert Snap-in-Jack Panel - Black	MMCPNLX24SJ2CII
24 Port Coloured Insert Snap-in-Jack Panel - Grey	MMCPNLX24SJ8CII

PRODUCT DESCRIPTION:

The Cat6Plus Snap-In-Jack offers true Category 6 component performance and quick tool-free wire termination with push down wire manager. The metal housing of the Keystone Jack is designed to provide a superior electromagnetic shielding performance. The jack is fully compatible with all our UK and continental style faceplates and products. Jacks are supplied with installation instructions.

PRODUCT CHARACTERISTICS:

- Outlet Style: Shielded Keystone type with Unkeyed RJ-45 ports
- Cable Entry: Rear
- Hole Plate Thickness: 1.6mm Max
- Body Material: Shield – Bronze, nickel-plated housing – ABS/PC, UL94-V2 rated
body – Zinc Die-casting nickel-plated
- Jack Contacts: Phosphor Bronze
- Plating: 50 µm of gold over 40 µm of nickel
- Punch Down Blocks: Tool-free with push down cable manager for wire AWG 22-27 solid and stranded
- Wire Terminations: Tool-free with CAP
- IDC Contacts: Phosphor Bronze with 50 µm of plated tin
- Wiring Standard: EIA/TIA 568A & EIA/TIA 568B
- Conformance: Category 6 compliant - can support 10GBASE-T in a channel configuration