

DS-1668ZJ-P

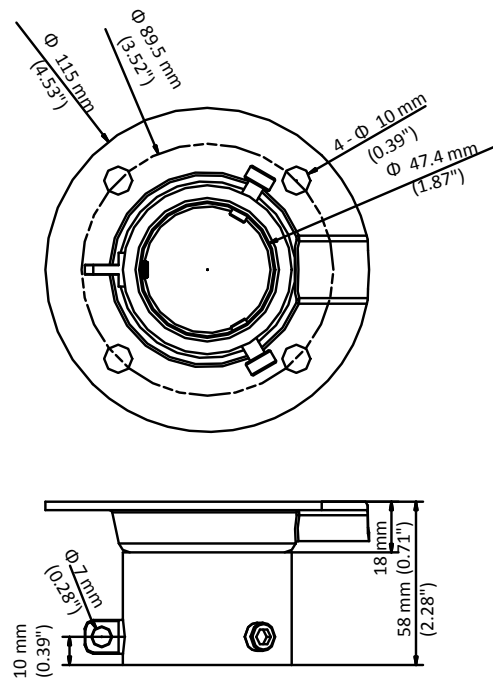
Pendant Mount



Feature

- Zinc-coated steel material with surface spray treatment
- The hook for safety rope facilitates camera's installation

Dimension



Available Model

DS-1668ZJ-P

Parameter

Model	DS-1668ZJ-P
Parameters	Pendant Mount
Appearance	Platinum Gray
Material	Steel
Dimension	$\Phi 115 \text{ mm} \times 58 \text{ mm}$ (4.53" \times 2.28")
Weight	620 g (1.37 lb.)

Note

- The mount should be installed on the flat surface.
- The ceiling must be capable of supporting at least 3 times as much as the total weight of the camera and the mount.
- The mount's maximum load capacity is 20 kg (44 lb.).